



Providing Ergonomic &  
Innovative Lifting Solutions

## GOLIATH™

**SUPERLIFT™** presents the **GOLIATH™**, a lift that will raise up to 10,000 lbs of men and material to heights of 25 feet.

The **GOLIATH™** can fit heavy loads in small footprint and will go where no other heavy equipment can travel.

The **GOLIATH™** is also a tool handler like no other material lifting device with many attachments available to make the **GOLIATH™** indispensable for the jobsite and industrial application.

The **GOLIATH™** is the perfect lift for bridge contractors, mining companies, crane rental, mechanical contractors, lift rental companies, building contractors, nuclear facilities, utilities and industrial facilities.

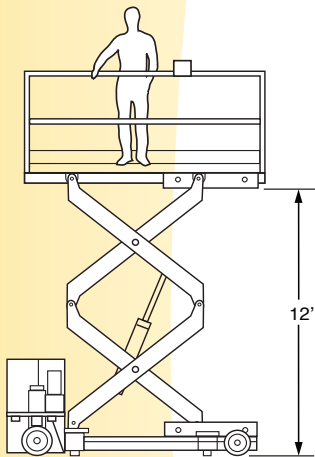




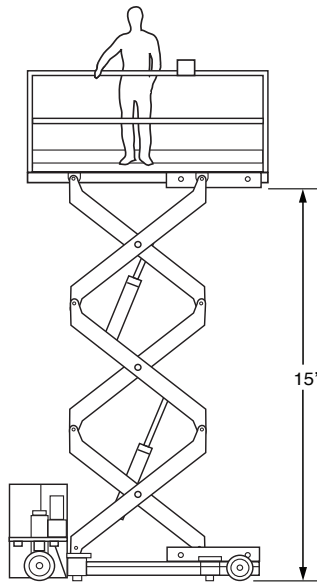
Providing Ergonomic & Innovative Lifting Solutions

GOLIATH™

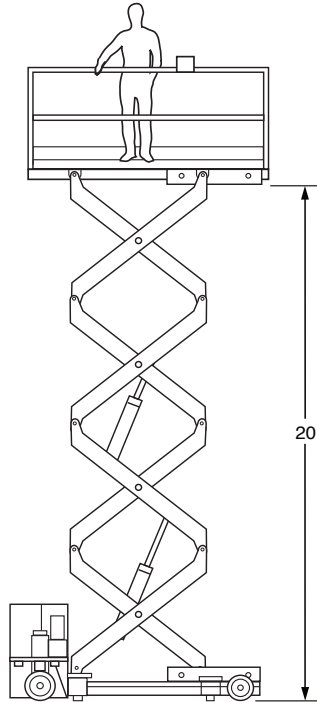
FOUR MODELS TO SELECT



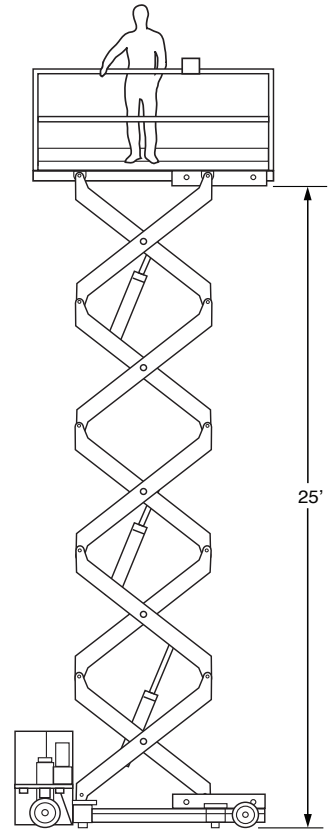
SL 12-100



SL 15-100



SL 20-100



SL 25-100

OPTIONS INCLUDE

- Pipe handler
- Platform extension
- Stationary models
- Powered railings
- Rotating platform
- Mining unit
- Truck and tractor mounted
- Special finishes
- Rough terrain and track units

SuperLift™ Builds Standard and Custom Manlifts



stationary



boom styles



A/C self propelled



air powered



stainless steel

Superlift Material Handling Inc
23 - 500 Fairway Rd S Suite 402 Kitchener, ON N2C 1X3

sales@superlift.net

1-800-884-1891

www.superlift.net